



Description & Features:

- Lead free wetted parts
- Pulsation resistant, liquid filled stainless steel case
- Glycerin filled standard
- Restricted orifice
- Crimp-On bezel
- Single (psi) or dual scale (psi/kPa)/(psi/bar) available
- Optional U-Clamps and front flanges
- Dry case available
- CRN registered
- 5 year warranty

Applications:

- Ideal for plumbing, heating, air conditioning, pumps, compressors and pneumatic equipment

Specifications

Dial	2.5" (63mm), 4" (100mm), white aluminum with black and red markings
Case	AISI 304 SS
Lens	Polycarbonate
Ring	AISI 304 SS, Crimp-On
Socket	Lead free brass
Connection	1/4" NPT or 1/2" NPT standard with restricted orifice
Fill Liquid	Glycerin
Bourdon Tube	Lead free phosphor bronze C or coil shaped
Movement	Brass
Pointer	Aluminum, anodized black
Welding	Silver Alloy
Over-Pressure Limit	25%
Socket Gasket	Buna N for two-piece internal socket seal
Fill Plug	Buna N
Lens Ring Gasket	Silicone rubber
Working Pressure	Maximum 75% of full scale value
Ambient/Process Temperature	Dry: -40°F to 200°F (-40°C to 93°C) Glycerin Filled: -4°F to 150°F (-20°C to 65°C)
Accuracy	2.5" (63mm), 4" (100mm): ±1.5% of full scale value
Enclosure Rating	IP65

Dual Scale Order Codes (products in bold are normally in stock)

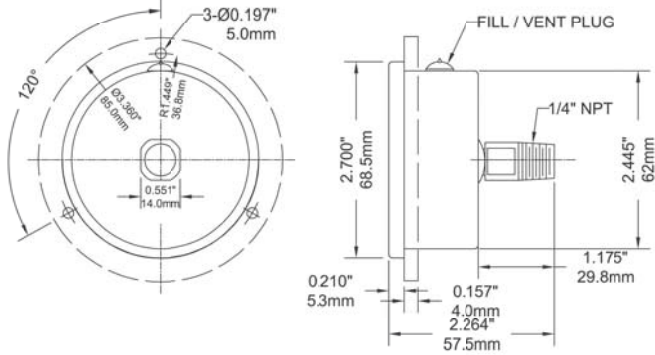
Dial Size	2.5" (63mm)		4" (100mm)			
Connection	^{1/4"} Bottom	^{1/4"} Back (CB)	^{1/4"} Bottom	^{1/4"} Back (CB)	^{1/2"} Bottom	^{1/2"} Back (CB)
Movement, Socket, Tube	Brass	Brass	Brass	Brass	Brass	Brass
30" Hg Vac/kPa	PFQ801LF	PFQ900LF	PFQ700LF	PFQ730LF	PFQ1234LF	PFQ1285LF
30"/0/15 psi/kPa	PFQ790LF	PFQ890LF	PFQ701LF	PFQ731LF	PFQ1235LF	PFQ1286LF
30"/0/30 psi/kPa	PFQ798LF	PFQ898LF	PFQ702LF	PFQ732LF	PFQ1236LF	PFQ1287LF
30"/0/60 psi/kPa	PFQ799LF	PFQ899LF	PFQ703LF	PFQ733LF	PFQ1237LF	PFQ1288LF
30"/0/100 psi/kPa	PFQ791LF	PFQ891LF	PFQ704LF	PFQ734LF	PFQ1238LF	PFQ1289LF
30"/0/150 psi/kPa	PFQ792LF	PFQ892LF	PFQ705LF	PFQ735LF	PFQ1239LF	PFQ1290LF
30"/0/200 psi/kPa	PFQ794LF	PFQ894LF	PFQ706LF	PFQ736LF	PFQ1240LF	PFQ1291LF
30"/0/300 psi/kPa	PFQ795LF	PFQ895LF	PFQ707LF	PFQ737LF	PFQ1241LF	PFQ1292LF
0/15 psi/kPa	PFQ800LF	PFQ901LF	PFQ708LF	PFQ738LF	PFQ1242LF	PFQ1293LF
0/30 psi/kPa	PFQ802LF	PFQ902LF	PFQ709LF	PFQ739LF	PFQ1243LF	PFQ1294LF
0/60 psi/kPa	PFQ803LF	PFQ903LF	PFQ710LF	PFQ740LF	PFQ1244LF	PFQ1295LF
0/100 psi/kPa	PFQ804LF	PFQ904LF	PFQ711LF	PFQ741LF	PFQ1245LF	PFQ1296LF
0/160 psi/kPa	PFQ805LF	PFQ905LF	PFQ712LF	PFQ742LF	PFQ1246LF	PFQ1298LF
0/200 psi/kPa	PFQ806LF	PFQ906LF	PFQ713LF	PFQ743LF	PFQ1247LF	PFQ1524LF
0/300 psi/kPa	PFQ807LF	PFQ907LF	PFQ714LF	PFQ744LF	PFQ1248LF	PFQ1525LF
0/400 psi/kPa	PFQ817LF	PFQ917LF	PFQ715LF	PFQ745LF	PFQ1249LF	PFQ1526LF
0/600 psi/kPa	PFQ808LF	PFQ908LF	PFQ716LF	PFQ746LF	PFQ1250LF	PFQ1527LF
0/1,000 psi/kPa	PFQ809LF	PFQ909LF	PFQ724LF	PFQ192LF	PFQ717LF	PFQ747LF
0/1,500 psi/kPa	PFQ816LF	PFQ914LF	PFQ725LF	PFQ241LF	PFQ718LF	PFQ748LF
0/2,000 psi/kPa	PFQ810LF	PFQ910LF	PFQ726LF	PFQ242LF	PFQ719LF	PFQ749LF
0/3,000 psi/kPa	PFQ811LF	PFQ911LF	PFQ727LF	PFQ243LF	PFQ720LF	PFQ750LF
0/5,000 psi/kPa	PFQ812LF	PFQ912LF	PFQ728LF	PFQ244LF	PFQ721LF	PFQ751LF
0/6,000 psi/kPa	PFQ814LF	PFQ915LF	-	PFQ246LF	PFQ784LF	PFQ785LF
0/7,500 psi/kPa	PFQ818LF	PFQ918LF	-	PFQ247LF	-	-
0/10,000 psi/kPa	PFQ813LF	PFQ913LF	PFQ729LF	PFQ360LF	PFQ722LF	PFQ752LF
0/15,000 psi/kPa	-	-	-	PFQ361LF	PFQ723LF	PFQ753LF

Other ranges available upon request. For options, attach suffix to end of order code: i.e. **PFQ801LF-DRY** for DRY CASE.

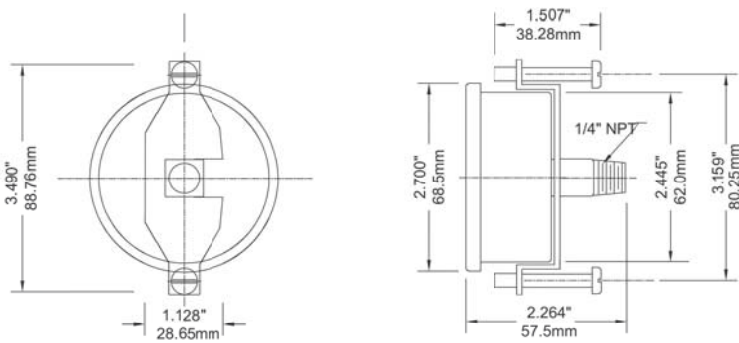
Option suffix:

25BF = 2.5" (63mm) Back Flange	4BF = 4" (100mm) Back Flange
25FF = 2.5" (63mm) Front Flange	4UC-P = 4" (100mm) U-Clamp
25UC = 2.5" (63mm) U-Clamp	4FF = 4" (100mm) Front Flange
25DRY = Supply 2.5" gauge less liquid fill	4UC-Q = 4" (100mm) U-Clamp
SF25 = Silicone fill	DRY = Supply 4" gauge less liquid fill
	SF4 = Silicone fill

2.5" Back Connection with Front Flange



2.5" Back Connection with U-Clamp



4" Back Connection with Front Flange

